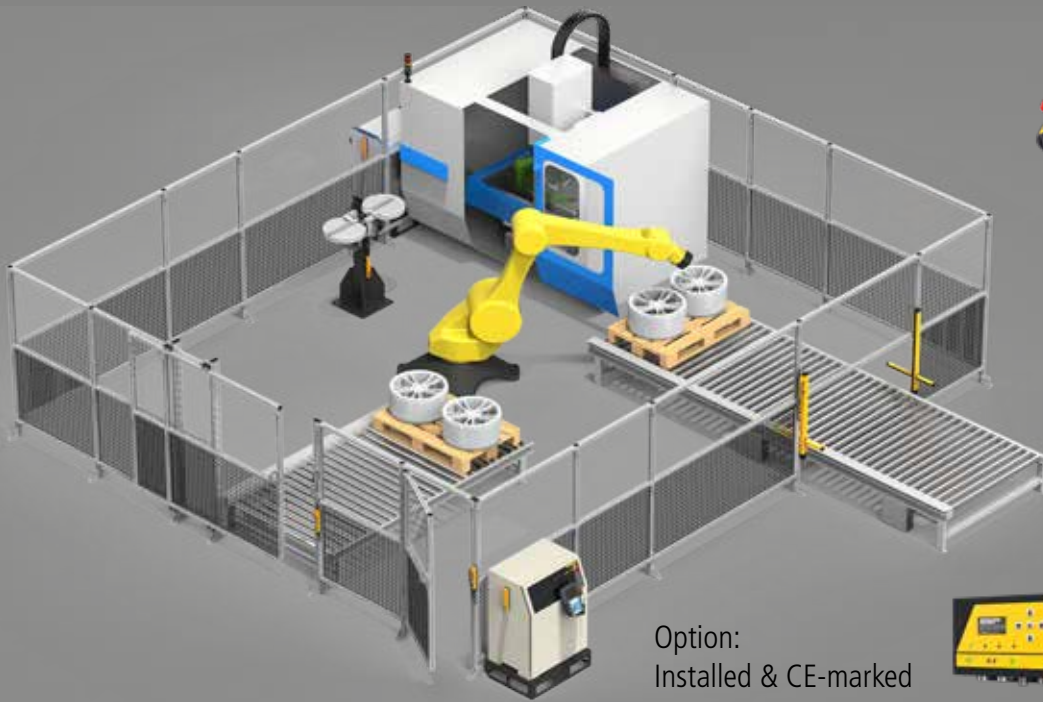


# Plug & Play Safety systems

Safety devices + Control devices + Safety Simplifiers + Gateway = Plug & Play



Option:  
Installed & CE-marked



SSP North AB



We simplify safety  
[www.sspnorth.se](http://www.sspnorth.se)



We design and develop safety products  
up to PLe/SIL3 in Sweden.

**SSP**  
Safety System Products

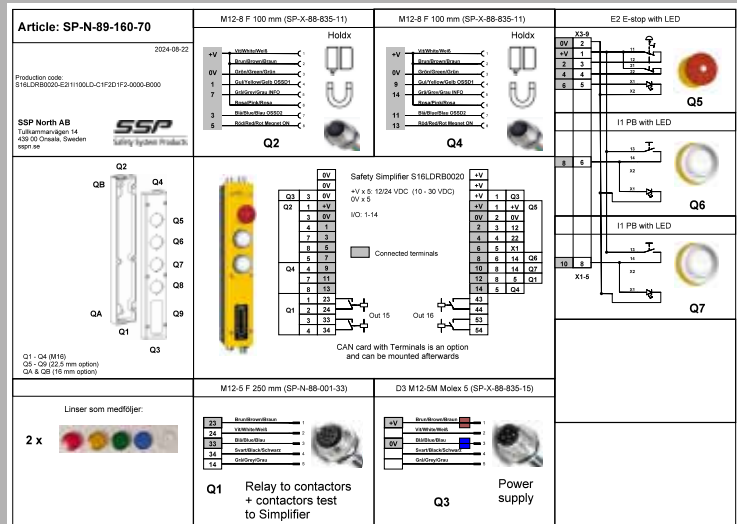
# Our concept

## Safety Simplifiers (PLe/SIL3) for Plug & Play safety solutions



**New  
for cabinet!**

- Standard or customized (E-stop, PB, Selector, M12)
- Preprogrammed or program yourself in Simplifier Manager (free of charge)
- Safety communication (Wireless, CAN, PROFI-safe)
- Laser print on Simplifier (on box, M12, PB and Selector)
- No cabinet is needed



PS. Electric drawings and safety calculations are included.  
PFhd values and reaction time (ms) from input to output.

## Simplifier Gateway PROFI-safe



The Simplifier Gateway makes it easy to add new safety functions to your existing PROFI-safe system

- Each Simplifier Gateway can connect up to 32 Simplifier devices (CAN and/or wireless) to the Siemens control system via PROFI-safe
- Programming of all safety functions directly in the Siemens control system or in Simplifier Manager
- Low cabling effort thanks to safe wireless communication or CAN communication
- Modular and expandable safety systems

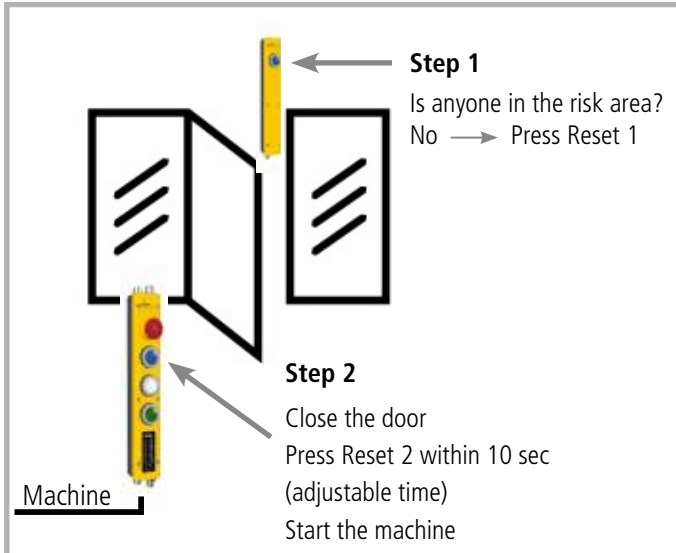
## Simple Fence

- Aluminium fence & automatic doors
- Standard sections with doors - simple assembling and cost-effective
- Customized solutions according to drawing

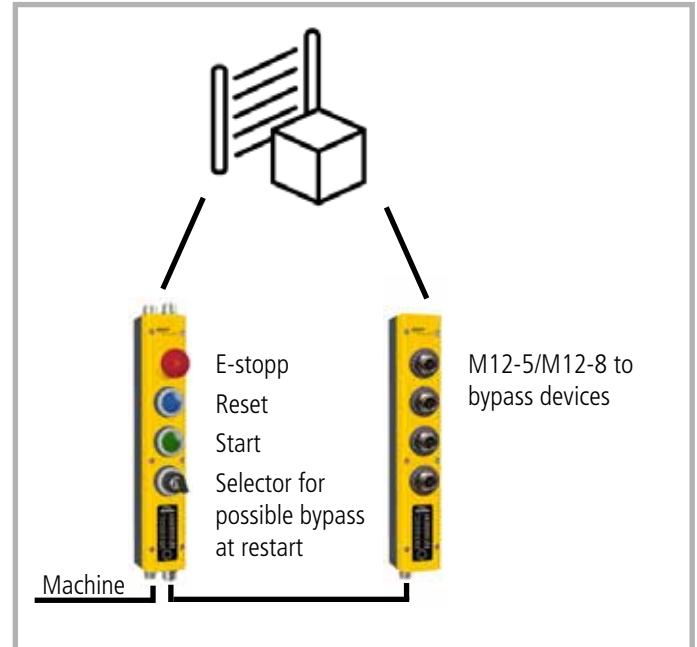


# Safety functions

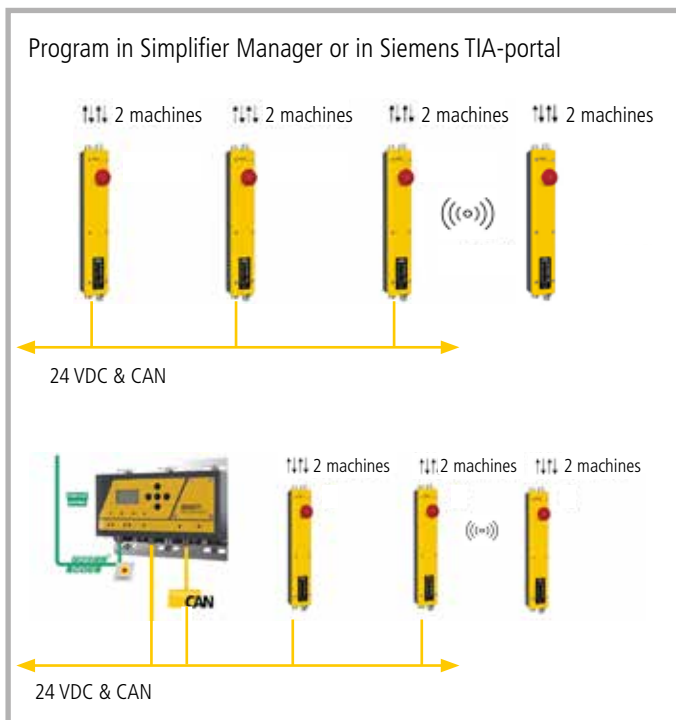
## Time reset



## Light beam with bypass



## E-stop systems for small and large production lines



## Safety solutions for test and troubleshooting



**All our safety functions are easy to modify, expand and connect to existing systems.**

## Simplifier Manager – download from our website (free of charge)

- Wireless programming or via USB port
- Drag & drop of symbols
- Simulation mode
- Gateways to parent systems



# We simplify safety

---



## SSP North AB

We sell and develop Plug & Play safety solutions for fixed and mobile machines. With our innovative Simplifier concept and fence system we can help you with a complete solution or to add new safety functions to your existing solution.

At SSP North AB, we develop our products in Sweden and sell them in the Nordic and Baltic countries. Our main partner, SSP GmbH is responsible for other markets. SSP North AB and SSP GmbH have extensive experience in machine safety and the founders of the companies have worked together since they were CEO at Jokab Safety AB and Jokab Safety GmbH.

Let us be your partner for machine safety!



Mats Linger CEO, SSP North AB



SSP North AB was founded i 2016 by Mats Linger.

## SSPN Safety System Products North AB

Tullkammarvägen 14, 439 31 Onsala Sweden

Tel. +46 10-212 31 50 [www.sspnorth.se](http://www.sspnorth.se), [info@sspnorth.se](mailto:info@sspnorth.se)

For our partners see our website

**SSP**  
Safety System Products

Note: We reserve the right to make technical changes or modify the contents of this document without prior notice. We do not accept any responsibility whatsoever for potential errors or possible lack of information in this document.